

Standard cylinder TE6

Technical data

A cylinder designed to solve medium complexity master key suits. In addition, it includes a higher level of passive protections. Such as anti drill pins, bump proof pinning...etc.

Characteristics

- » Type: Sawn key. (Brass nickel plated).
- » NO. of rows: 1
- » NO. of pins: 6
- » Technology: Tumbler regular.
- » Permutation level: Grade 6.
- » Corrosion resistance: Grade B.
- » Pick protection: Medium level.
- » Drill resistant.
- » Bump proof cylinder lock.
- » Lifespan: 50,000 test cycles.
- » 3 keys per cylinder.

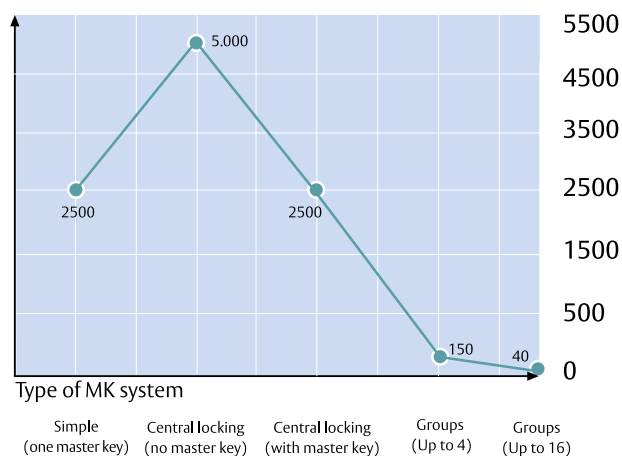
Options

- » Finishes: Brass / Nickel plated.
- » Cam: DIN R15 and R13
- » Formats available: Key different, mater keyed, key alike and specific codes.
- » Wide measurement and profile range.

Master key systems.

In addition to combine 10 heights per position this model has the possibility of using 3 different key profiles.

Regular tumbler platform & key ways KT series
N° of single keys



! Only available for masterkeying



Recommendations


- » Use TESA lubricant to lengthen the maximum lifespan of the cylinder.
- » Use original keys to make copies.
- » For safety reasons, when you select a new cylinder, remember that once installed, it should not project more than 1mm.


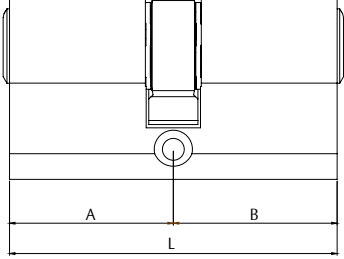

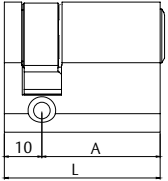

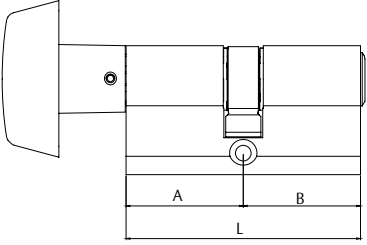


Standard cylinder TE6

European profile

! Only available for masterkeying

 50 units. (L≤90)
30 units. (L>90)

Double european		L	A	B	Cam = 15 mm	Finish	Cam = 15 mm	Finish
		60	30	30	TE65 30 30 L	Brass	TE65 30 30 N	Nickel
		65	30	35	TE65 30 35 L	Brass	TE65 30 35 N	Nickel
		70	30	40	TE65 30 40 L	Brass	TE65 30 40 N	Nickel
		70	35	35	TE65 35 35 L	Brass	TE65 35 35 N	Nickel
		75	30	45	TE65 30 45 L	Brass	TE65 30 45 N	Nickel
		75	35	40	TE65 35 40 L	Brass	TE65 35 40 N	Nickel
		80	30	50	TE65 30 50 L	Brass	TE65 30 50 N	Nickel
		80	35	45	TE65 35 45 L	Brass	TE65 35 45 N	Nickel
		80	40	40	TE65 40 40 L	Brass	TE65 40 40 N	Nickel
		85	35	50	TE65 35 50 L	Brass	TE65 35 50 N	Nickel
		90	30	60	TE65 30 60 L	Brass	TE65 30 60 N	Nickel
		90	35	55	TE65 35 55 L	Brass	TE65 35 55 N	Nickel
		90	40	50	TE65 40 50 L	Brass	TE65 40 50 N	Nickel
		90	45	45	TE65 45 45 L	Brass	TE65 45 45 N	Nickel
		100	30	70	TE65 30 70 L	Brass	TE65 30 70 N	Nickel
		100	40	60	TE65 40 60 L	Brass	TE65 40 60 N	Nickel
		100	50	50	TE65 50 50 L	Brass	TE65 50 50 N	Nickel
		110	30	80	TE65 30 80 L	Brass	TE65 30 80 N	Nickel
		110	50	60	TE65 50 60 L	Brass	TE65 50 60 N	Nickel
		120	30	90	TE65 30 90 L	Brass	TE65 30 90 N	Nickel
		120	40	80	TE65 40 80 L	Brass	TE65 40 80 N	Nickel
		120	60	60	TE65 60 60 L	Brass	TE65 60 60 N	Nickel
		130	30	100	TE65 31 00 L	Brass	TE65 31 00 N	Nickel
		140	40	100	TE65 41 00 L	Brass	TE65 41 00 N	Nickel
		150	50	100	TE65 51 00 L	Brass	TE65 51 00 N	Nickel
		160	60	100	TE65 61 00 L	Brass	TE65 61 00 N	Nickel
Single european.		L	A	B	Cam = 15 mm	Finish	Cam = 15 mm	Finish
		40	30	10	TE65 30 10 L	Brass	TE65 30 10 N	Nickel
		45	35	10	TE65 35 10 L	Brass	TE65 35 10 N	Nickel
		50	40	10	TE65 40 10 L	Brass	TE65 40 10 N	Nickel
		60	50	10	TE65 50 10 L	Brass	TE65 50 10 N	Nickel
		70	60	10	TE65 60 10 L	Brass	TE65 60 10 N	Nickel
		80	70	10	TE65 70 10 L	Brass	TE65 70 10 N	Nickel
		90	80	10	TE65 80 10 L	Brass	TE65 80 10 N	Nickel
		100	90	10	TE65 90 10 L	Brass	TE65 90 10 N	Nickel
Knob european.		L	A	B	Cam = 15 mm	Finish	Cam = 15 mm	Finish
		60	30	30	TE6B 30 30 L	Brass	TE6B 30 30 N	Nickel
		65	30	35	TE6B 30 35 L	Brass	TE6B 30 35 N	Nickel
		70	35	35	TE6B 35 35 L	Brass	TE6B 35 35 N	Nickel
		70	40	30	TE6B 40 30 L	Brass	TE6B 40 30 N	Nickel
		80	30	50	TE6B 30 50 L	Brass	TE6B 30 50 N	Nickel
		80	40	40	TE6B 40 40 L	Brass	TE6B 40 40 N	Nickel
		85	35	50	TE6B 35 50 L	Brass	TE6B 35 50 N	Nickel
		90	30	60	TE6B 30 60 L	Brass	TE6B 30 60 N	Nickel
		90	45	45	TE6B 45 45 L	Brass	TE6B 45 45 N	Nickel

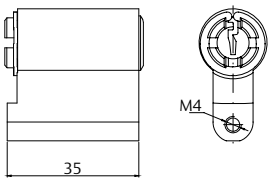
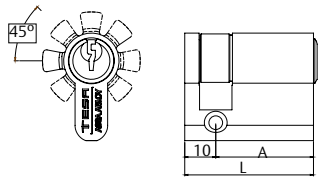
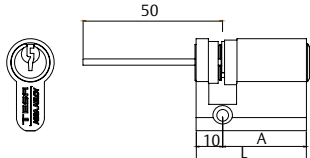
* To process "master keyed" and "cylinders alike" orders add either AM or KA in each part number, respectively.

D

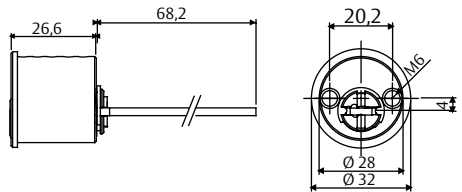
Standard cylinder TE6

! Only available for masterkeying

European profile

Padlock exchangeable.		L	A	B	Product code	Finish
		-	-	-	TE6CL55L	Brass
		-	-	-	TE6CL55N	Nickel
Adjustable cam. Single profile (8 positions).		L	A	B	Product code	Finish
		40	30	10	TE6W3010L	Brass
		40	30	10	TE6W3010N	Nickel
Adjustable european cylinder.		L	A	B	Product code	Finish
		40	30	10	TE6R3010L	Brass
		40	30	10	TE6R3010N	Nickel
		50	40	10	TE6R4010L	Brass
		50	40	10	TE6R4010N	Nickel

Round profiles

Adjustable round cylinder		Ø	Inside lenght	Outside lenght	Product code	Finish
		28	-	Adjustable	55TE600LT	Brass
		28	-	Adjustable	55TE600LN	Nickel

* To process "master keyed" and "cylinders alike" orders add either AM or KA in each part number, respectively.