

▼ **Backset**

Variable. Minimum: .625 in. Maximum: 1.28 in. (from face of lock to escutcheon and cylinder centerline).

▼ **Anti-Lift Lock Mechanism**

Basic MS1848-09 (radius ends) or MS1848-10 (square ends) is supplied. Stainless steel bolt is self-protecting, adjustable for reach.

▼ **Escutcheons**

Zinc Alloy, Satin Silver epoxy. For other finishes available, contact factory.

▼ **Inside Operation**

Vertical slide button projects or retracts deadlock bolt.

▼ **Outside Operation (4190 Only)**

Key in five-pin cylinder with Schlage "C" keyway projects or retracts bolt. Other cylinder makes available on special order.

▼ **Function**

Projecting only 1/10" from the door stile on either side, 4189 and 4190 locksets allow doors to slide freely past other sliding units or stationary panels. There are no projecting handles to tear draperies or prevent the door from being "stacked" in a wall pocket. 4190 has a flush mounted cylinder outside. Not recommended for wood doors.



Flush Locksets

Including Deadlock

4189, 4190

ANSI/BHMA Type E8292 (Grade 2) (with cylinder)

▼ **4413 Interior Pull**

The 4413 provides a surface-mounted grip-type pull, where desired, on doors already equipped with 4189 or 4190 flush hardware. Mounting is by two machine screws and requires no alteration to door or flushlock. Attractive sheer-line design blends perfectly with the trim appearance of the flush escutcheons, yet offers a generous hand grip for convenience. Material is ABS plastic in graphite grey color.

▼ **Stile Thickness**

May be 1" to 1-3/8". Available on special order at extra cost for stiles 1-3/8" thick or greater.

▼ **Stile Depth**

Minimum clear depth: Backset plus 9/16".

▼ **Operation**

Both locksets operated from inside by a simple up or down movement of a slide button, set flush in the deeply recessed finger pull. The lock mechanism (latching action unavailable) is the time-tested and field-proven Adams Rite MS1847 and features the adjustable, self-protecting bolt. Matching "dummy set" also available (4195).

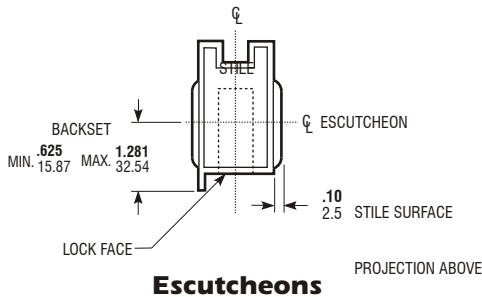
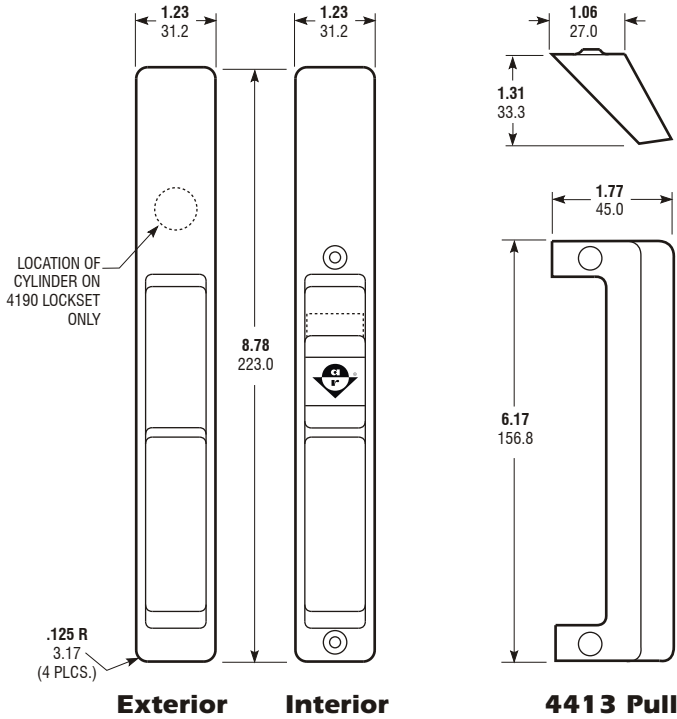


4189, 4190 Flush Locksets

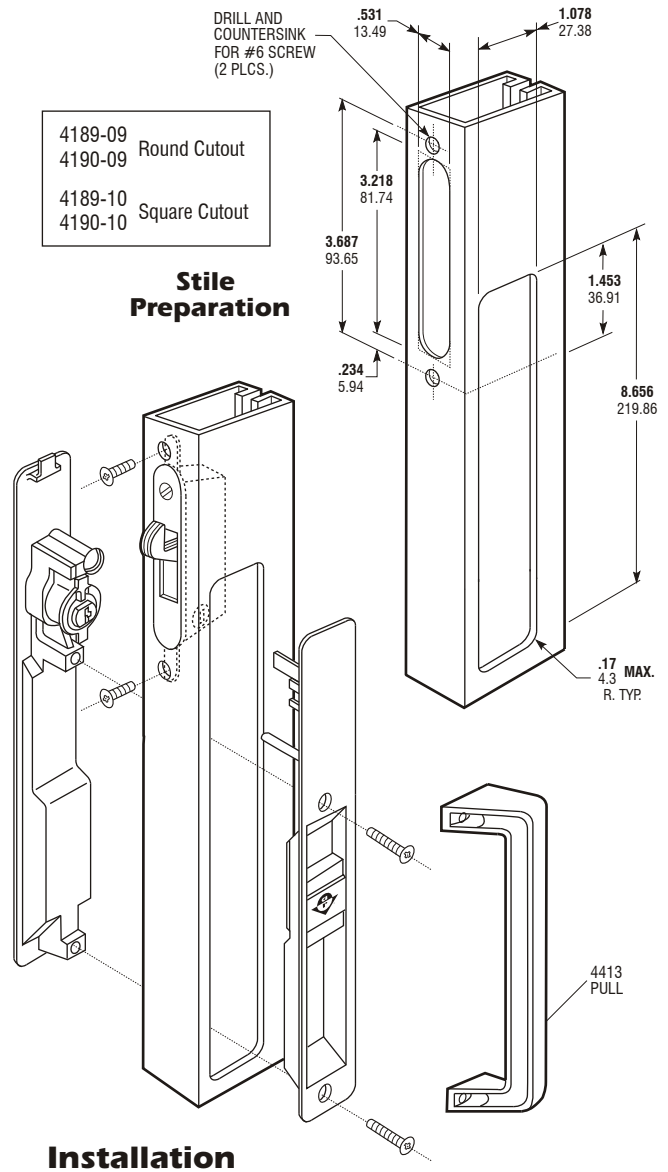
DIMENSIONS

INCHES
MILLIMETERS

Nominal, subject to tolerance extremes.



INSTALLATION



- 4189-09 Round Cutout
- 4190-09 Round Cutout
- 4189-10 Square Cutout
- 4190-10 Square Cutout

HOW TO ORDER

Specify quantity and the following information.
Order related hardware separately.

| | | |
|---|--|--|
| Lockset Exterior 4189 w/o Cylinder 4190 w/Cylinder | Lock Face 09 Radius 10 Square | Stile Thickness 01 1" - 1-3/8" 02 1-7/16" - 1-5/8" 03 1-11/16" - 2" |
|---|--|--|

4189 - 09 - 01 - 130

Finish

| | |
|------------|--------------------------------|
| 130 | To match 628 Clear Anodized |
| 121 | To match 313 Dark Bronze Anod. |
| 119 | To match 335 Black Anodized |

OPTIONS

Specify 4190 if outside key-cylinder operation required; 4189 if not. Add Dash number -10 for square-ended lock face or -09 for round end. Cylinder-only operation (one side) available: 4198 has standard mounting screws, 4196 has non-removable screws. Dummy set 4195 also available. Order 4413 Grip Pull separately.

STANDARD PACKAGE

4190, with cylinder, and 4189, without cylinder, are each complete packages. Shipped individually boxed with mounting screws. 4190 includes two keys. Weight: 1-1/4 lbs. Standard 4190 units are keyed different (KD). Contact factory for special keying.