

House & Apartment

YOUR TOTAL ARCHITECTURAL HARDWARE SOLUTIONS



IR Architectural Hardware
An Ingersoll-Rand Company

Contents



Introduction	2
Reference Page	3
Door Furniture	4
Locks and Latches	13
Door Controls	17
Exit Devices	19
General Hardware	21

IR Security & Safety and IR Architectural Hardware are companies within the worldwide Ingersoll-Rand group of companies. We are committed to providing a total solution of the highest quality, from specification and scheduling, to manufacturing and supply of the complete package for apartments, houses and business.

With the ever-increasing technical complexity of building, fire and disability code compliance, it is now more important than ever to specify the appropriate product for security and life-safety. Let our team of technically trained consultants assist your product specification and door hardware scheduling to ensure these codes are met.

We have sales offices located in Adelaide, Brisbane, Melbourne, Perth, Sydney, Auckland, Christchurch, Wellington, and are happy to discuss any requirements or queries you may have.

Total solutions

Independently or as an integrated total solution, we can tailor an option to suit your individual security and safety needs for home and business.

IR Briton - Door Closers, Emergency Exit Devices, Fire Door Controls

IR Cisa - Euro Mortice Locks, Hotel Locking Systems

IR Dalco - Bathroomware, Door Furniture, Entrance Handles, General Hardware, Grab Rails, Hinges, Latches

IR Dexter by Schlage - Door Furniture

IR Dor-O-matic - Swing and Sliding Doors (Refer IR LCN)

IR Duralock - Hotel Locking System

IR Falcon - Door Furniture, Locks and Latches

IR Geoffrey Industries - Building Management Software

IR Glynn-Johnson - Door Controls

IR Ives - Door Controls, General Hardware

IR J Legge - Locks and Latches

IR LCN - Auto Equalisers, Door Closers, Fire Door Controls, Savant Auto Sliding Door, Quantum Auto Swing Door

IR Legge Pacific - Door Furniture, Electric Lock, Locks and Latches, Keying Systems, Hotel Card Access System

IR Legge Pacific Regent - Door Furniture

IR Locknetics by Schlage - Software Managed Access Systems, Access Control Biometric Readers, Electromechanical Locks, Electromagnetic Locks, Electronic Control Systems and Releasing Devices

IRME - Euro Mortice Locks

IR Microlock - Electric Strike

IR Mustad - Floor Springs

IR Normbau - Healthcare hardware

IR Randi - Door hardware

IR Recognition Systems - HandKey: Biometric Access Controls, HandPunch: Time and Attendance

IR Schlage - Door Furniture, General Hardware, Keying Systems, Locks and Latches

IR Total Door Solutions - Breakout Closer, Reduced Swing Door

IR Von Duprin - Emergency Exit Hardware Electronic Door Control Products, EAC by Von Duprin



Reference page

Finish abbreviations

ABZ - Architectural Bronze
ALUM - Aluminium (US-689, SP28, MAL)
B - Black
BZ - Bronze Anodised
CP - Chrome Plate (US-625)
EB - Electroplated Brass
EPOXY - Epoxy Powder Coat
GE - Gold
NP - Nickel Plate
PA - Polished Aluminium
PB - Polished Brass (US-605)
PSS - Polished Stainless Steel
USP - Primed For Painting
SB - Satin Brass (US-606)
SCP - Satin Chrome Plate (US-626, US26D)
SPC - Special Powder Coats
SNP - Satin Nickel Plate (US-619)
SSS - Satin Stainless Steel (US-630, US32D)
STP - Standard Powder Coat
SE - Silver

Product application classification (Aus/NZ)

Residential and Light Commercial
 Moderate use. Typical applications include residential homes, apartments and low traffic offices.

Commercial - Moderate to high traffic flow. Typical applications include classrooms, storerooms, entrance / fire applications.

Heavy Commercial - Excessive high usage / high security subject to abuse. Typical applications include prisons, stairwell doors and air pressure differential.

Ratings



Symbol indicating that door hardware has been

Fire Rated: successfully tested on a fire door assemblies as specified in Australian Standard AS 1905.1-1990 Part 1 Fire Door.

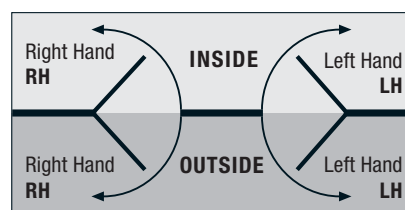


Ingersoll-Rand Architectural Hardware Ltd, Auckland, New Zealand is an approved Quality Endorsed Company in compliance to AS/NZS ISO 9001:2000. Bureau Veritas Quality International (BVQI) is an accredited body and is registered on JAS-ANZ Worldwide Register of Accredited Bodies and Certified Organisations.

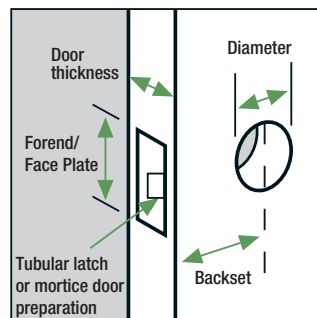
Handing



In some cases you will need to specify handing. Where you see the hand icon, check the handing diagram pictured below and specify the lever handing you require.



Common terms



Door Preparation - A term used for the cut-outs or holes made to the door for the particular lock being installed.

Backset - The distance from the edge of the door to the centre line of prep in door.

Door Thickness - The measurement from outside front through to outside back of door. All locks have a minimum / maximum door thickness which they will fit.



BUILDING Partnership PROGRAMME

This programme is a mutually beneficial arrangement between the building company and IR Architectural Hardware, via trade merchants. It is also a response to building companies desire for quality products, robust warranties, simple but effective key control, and time-saving installation. Product marked with the house icon is included in the Building Partnership Programme.

IR Schlage, IR Legge Pacific, IR Dalco, IRME and IR Cisa are world-renowned architectural hardware brands offering affordability and durability.

Ordering instructions

Located below each product is a table containing the required order code summary. Otherwise please refer to the Price Book.

Services

Scheduling - A comprehensive door schedule specification service is provided. Door hardware schedules are available with no obligation.

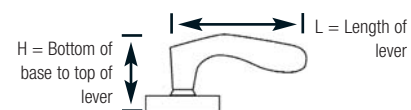
Building Partnership Programme Residential Construction Keying - RCK system, involves a single key, replicated to be used by tradesmen for all homes during the construction phase, making multiple contract people access simple. Building companies will be supplied 25 keys free (additional keys by negotiation), which can be reused on future houses/apartments. Each building company receives a personalised RCK system, so no two building companies have the same keys. When the new homeowner takes over the house, they are presented with their own keys, which when used automatically resets the lock cylinder, making the RCK inoperable and providing the homeowner with their own unique combination.

Master Keying - Master Keying is a method of controlling access through a building. A key schedule is prepared from provided floor plans. Includes a key tracking system which locates keys and locks and keeps a secure procedure on what keying has been undertaken. Security is based on a system where one lock has its own key. This key will not operate any other locks in the system however where all locks are in the same system the locks can be operated by the one master key.

Keyed Alike - KA - More than one lock being operated by the same key.

Keyed To Differ - KD - One lock is opened with a single key.

Lever dimension guide



For more dimensions refer to the Price Book.

Door Furniture

Deciding on what door furniture best suits your needs can be difficult.



When you dream about your ideal new home, what features do you see? What features will make your home fashionable, unique and safe. Creating an environment that is luxurious means that the finishing touches could add to, or destroy the effect you were looking to achieve. As such, choosing the appropriate door furniture becomes an important part of the overall design.

Securing your home and property is very much about the level of security and hardware selected and installed. Making decisions on door furniture means reviewing product designs that suit the architectural style of the home. There are many decisions to be made, levers or knobs, which finish to select and will it match with furniture hardware and joinery, are the doors wooden, metal or aluminium, what function is required for each door. IR Architectural Hardware offer a range of leading hardware brands for the residential, light commercial and commercial use to help you select door furniture with confidence and peace of mind.



Medio Collection Residential



VISTA (H62mm x L121mm)
(ROSE Ø55mm Depth 12mm)



CENTRA (H51mm x L112mm)



DIVA (H60mm x L121mm)



MILA (H66mm x L117mm)

TECHNICAL SPECIFICATIONS
Mortice Lock Backset:
40,44,58 & 60mm
Door thickness:
ENTR - 32-50mm
PAS - 32-50mm
PRV - 32-42mm

Door type: Wood
Escutcheon L30 optional
FUNCTIONS
DT = Dummy Trim
51 = Entrance (C&T)
66 = Entrance (Dbl Cyl)
LAF = Latch Furniture
PAS = Passage

PRV = Privacy
ACCESSORIES
Cylinders - IRME C4 Euro
IR Schlage 5 or 6 PIN
Euro Profile
Dummy Trim Fixing Kit
Rose Caps
Escutcheon L30

Compatible locks	Lever finishes	Warranty	Order code summary
- IR Legge Pacific 60mm Latchbolt (Code 3722) - IRME Mortice (40mm, 44mm, 58mm, 60mm) - IR Legge Pacific 990MF Mortice	CP, SCP	7 Years	1. Series 2. Lever (Handing) 3. Function 4. Finish eg: LMPASS

*Designa Pack (hang sell) available with IRME 44mm & 58mm Mortice Lock



Medio 1000 Series Residential



DIVA (D)
(H64mm x L121mm)
(PLATE 215mm Length x 32mm Width x 9mm Depth)



CENTRA (C)
(H56mm x L112mm)



MILA (M)
(H69mm x L117mm)



VISTA (V)
(H66mm x L121mm)

TECHNICAL SPECIFICATIONS
Backset: 30, 35, 40, & 60mm (dependant on function)
Door thickness:
32-40mm - 5 PIN Cyl
32-50mm - 6 PIN Cyl

Door type: Wood, Metal and Aluminium
FUNCTIONS
10 = Passage
30 = Patio
51 = Entrance (C&T)
66 = Entrance (DC)

170 = Dummy
172 = Dummy Pair
176 = Latch
ACCESSORIES
Dummy Trim Fixing Kit
Escutcheon

Compatible locks	Lever finishes	Warranty	Order code summary
- IR Legge Pacific 60mm Latchbolt (Code 3722) - IRME Mortice (30mm, 35mm, 40mm, 60mm)	B, CP, SCP,	7 Years	1. Series 2. Lever (Handing)
- IR Cisa 7000 Mortice (30mm, 35mm) - IR Legge Pacific 990MF Mortice - IR Legge Pacific 990MFE Electric Lock	STP, SPC		3. Function 4. Finish eg: L1MR30B



Regent Entrance Handleset Residential



TECHNICAL SPECIFICATIONS

ANSI Grade 3 Performance
Backset: 60-70mm
Door thickness: 35-50mm
Door type: Wood and Metal

FUNCTIONS

Entrance Double Cylinder
Single Cylinder and Turn

ACCESSORIES

Regent Key Blanks
Rebate Kit
Strikes

Lever finishes	Warranty	Order code summary
SCP, SNP	25 Years Mechanical 7 Years Finish	1. Series 2. Entrance Handleset 3. Function 4. Finish eg: RCENTGDS



Regent Lockset Range Residential



JUPITER (H60mm x L106mm)
(ROSE Ø65mm Depth 26mm)



DENVER
(H68mm x Ø55mm)



LEONARDO
(H60mm x L118mm)



RUBENS
(H68mm x L120mm)

TECHNICAL SPECIFICATIONS

ANSI Grade 3 Performance
Backset: 60-70mm
Door thickness: 35-50mm
Door type: Wood and Metal
Concealed fixing

Dual square and drive in
latchbolt

FUNCTIONS

Passage Latchset
Privacy Set
Entrance Lockset

Single Dummy Trim

ACCESSORIES

127mm Latchbolt
Regent Key Blanks
Rebate Kit
Strikes

Lever and Knob designs	Finishes	Warranty	Order code summary
Lever - Jupiter, Leonardo, Rubens Knob - Denver	Lever:- CP, SCP, SNP Knob:- CP, PB, SNP, SSS	25 Year Mechanical 7 Year Finish	1. Series 2. Lever or Knob 3. Function 4. Finish eg: RLPASSC

*Regent Deadbolts sold separately as Single Cyl & Turn, Double Cyl & Combination Set.



Dexter Lockset Range Residential



DOVER SNP (H51mm x L118mm)
(ROSE Ø65mm Depth 23mm)

LASALLE PB
(H50mm x L118mm)

MARIN SSS
(H55mm x L118mm)

TECHNICAL SPECIFICATIONS

ANSI Grade 3 Certified
Backset: 60-70mm
Door thickness: 35-50mm
Door type: Wood and Metal

FUNCTIONS

J10 = Passage Lockset
J40 = Privacy Set

J51 = Entrance Lockset

J170 = Sgl Dummy Trim

ACCESSORIES

Dexter Key Blanks
Rebate Kit

Lever designs	Lever finishes	Warranty	Order code summary
Lever - Dover, Lasalle and Marin	PB, SNP, SSS	7 years	1. Series 2. Lever (Handing) 3. Function 4. Finish eg: SDL70415

*Dexter Deadbolt available in CP, PB and SCP. D Strike supplied as standard.



F-Series Entrance Handlesets 🏠 Residential



BOWMAN
Finish: PB
Inside: Plymouth knob

CENTURY
Finishes: CP, SCP
Inside (from top): Flair lever, Orbit knob, Plymouth knob

PARTHENON
Finish: AB
Inside: Georgian knob

PLYMOUTH
Finishes: PB, SCP, SNP
Inside (from top): Accent lever, Flair lever, Plymouth knob

TECHNICAL SPECIFICATIONS

ANSI Grade 2 Certified
Backset: 60-70mm adjustable
Door thickness:
F362 5 PIN: 35-44mm
F362 6 PIN: 42-50mm
Door Type: Wood

FUNCTIONS

F360 - Cyl/Turn
F362 - Double Cyl
F363 - Dummy Trim
KA: Keyed Alike available on Entrance Handset

Finishes	Warranty All F Series	Order code summary
Refer above	Lifetime Mechanical. Ultima Lifetime Finish - CP, SNP, UPB. 10 Year Finish - AB, SCP (Dummy/Passage/Privacy - All Finishes 10 years).	1. Series 2. Entrance Handleset 3. Lever (Handing) or Knob 4. Function 5. Finish eg: SRL13431 Or F Series codes eg: F360 refer to the Price Book

*Refer F Series Levers for Handing



F-Series Knobs 🏠 Residential



GEORGIAN
Finish: AB

ORBIT
Finishes: CP, PB, SCP

PLYMOUTH
Finishes: CP, PB, SCP

TECHNICAL SPECIFICATIONS

ANSI Grade 2 Certified
Backset: 60-70mm, 127mm available
Door thickness: 36-44mm
Door type: Wood, Metal and Aluminium.

FUNCTIONS

F10 = Passage Latch
F40 = Privacy Lock
F51 = Entrance Lock
F170 = Single Dummy Trim

Knob finishes	Warranty	Order code summary
Refer above	Refer above	1. Series 2. Knob 3. Function 4. Finish eg: SRL13109 (F51)



F-Series Levers 🏠 Residential



ACCENT (H66 x L116mm)
Lever finishes: PB, SNP

ELAN (H55mm x L113mm)
Lever finish: SCP

FLAIR (H56mm x L115mm)
Lever finishes: PB, SCP

TECHNICAL SPECIFICATIONS

ANSI Grade 2 Certified
Backset: 60-70mm, 127mm available
Door thickness: 36-44mm
Door type: Wood, Metal and Aluminium.

FUNCTIONS

F10 = Passage Latch
F40 = Privacy Lock
F51 = Entrance Lock
F170 = Single Dummy Trim

Lever finishes	Warranty	Order code summary
Refer above	Refer above	1. Series 2. Lever (Handing Dummy Trim only) 3. Function 4. Finish eg: SRL13483 (F40)



Narrow Style Series 🏠 Residential



COMO (C)
Lever finishes B, S

MILAN (M)
Lever finishes PB, SCP, SNP

TECHNICAL SPECIFICATIONS

Backset: 30mm or 60mm
Door thickness: 30-55mm
Door type: Wood and Aluminium

DIMENSIONS

Como - Plate 210mm L x 28mm W x 5mm D

Lever 135mm L x 50mm W
Milan - Plate 227mm L x 25mm W x 10mm D
Lever 125mm L x 50mm W

FUNCTIONS

Entrance
Passage

Compatible locks	Lever finishes	Warranty	Order code summary
- IRME Mortice (Entrance & 3Pt 30mm & 60mm) - IR Cisa 7000 Mortice (30mm & 35mm)	Refer above	7 Years	1. Series 2. Lever (Handing) 3. Function 4. Finish

*Supplied as Furniture or Lockset.



5300 and 5400 Series Commercial



5300 BERGEN (B) (H51mm x L107mm)



(PLATE 185mm Length x
25mm Width x 12mm Depth)

5400 FLAIRE (F) (H57mm x L111mm)



TECHNICAL SPECIFICATIONS Door thickness:
5300 Series - rectangle plate 32-50mm
5400 Series - oval plate

Backset:

12	15	20	27	29	34	50	51	52
Leonardo	Diablo	Gaudi	Salvador	Alpha	Cezanne	Monet	Chagall	Renior
30mm	23mm	23mm	30mm	23mm	23mm	23mm	30mm	30mm
53	54	55	56	57	58	Bergen	Flaire	Neptune
Ribera	Donatello	Alessandro	Rubens	Angelo	Arcadia	N/A	N/A	N/A
23mm	38mm	23mm	38mm	30mm	30mm	30mm	30mm	30mm

*Applies to 5300 & 5400 Series.

*For functions please refer to product sheet in catalogue.
For lever only dimensions refer to IR Dalco 6000 Series page 8.



ALESSANDRO (55) (H67mm x L117mm)



ALPHA (29) (H52mm x L120mm)



ARCADIA (58) (H61mm x L122mm)



CEZANNE (34) (H66mm x L137mm)



CHAGALL (51) (H54mm x L116mm)



DIABLO (15) (H61mm x L125mm)



DONATELLO (54) (H57mm x L124mm)



FLAIRE (F) (H57mm x L111mm)



GAUDI (20) (H61mm x L125mm)



LEONARDO (12) (H58mm x L118mm)



MONET (50) (H61mm x L121mm)



NEPTUNE (N) (H63mm x L127mm)



RENOIR (52) (H54mm x L116mm)



RIBERA (53) (H64mm x L120mm)



RUBENS (56) (H69mm x L137mm)



SALVADOR (27) (H58mm x L117mm)



VITTORE (30) (H68mm x L123mm)

Compatible lock	Finishes	Warranty	Order code summary
- IR Legge Pacific 995MF (990 on request) (Narrow Style Mortice Lock)	CP, PB, SCP	10 Years	1. Series 2. Plate (Lever Plate-Plain Plate, LED Lever Plate & LED Plain Plate) 3. Lever (Handing) 4. Function (To suit lock eg:5306) 5. Finish eg: L5300/29C



6000 Series Commercial



ALPHA (29) (H52mm x L120mm)



DONATELLO (54) (H57mm x L124mm)
(ROSE Ø55mm Depth 12mm)



TECHNICAL SPECIFICATIONS

Backset: 60mm
(PAS / PRV)
Door thickness: LATCH &
PASS 32-50mm
PRV 32-50mm

FUNCTIONS

6000 = Lock/Latch
6001 = Half Set
6002 = Half Set Fixed
6003 = Blank Rose
6005 = Passage
6006 = Privacy

ACCESSORIES

6007 = Turn Escutcheon
6008 = Cyl. Escutcheon
6009 = Emergency
Release
6010 = Large Turn
Dummy Trim Fixing Kit
Escutcheons:
6012, 6013, 6014, 6015

*More functions and
accessories available, please
refer to product sheets in
catalogue.

FINISH COMBINATIONS

Code	01	02	03	04
Outer Rose	CP	SCP	PB	CP
Inner Rose	SCP	CP	CP	PB
Lever/Turn	CP	SCP	PB	CP



ALESSANDRO (55) (H66mm x L117mm)



ANGELO (57) (H47mm x L126mm)



ARCADIA (58) (H62mm x L122mm)



BERGEN (B) (H50mm x L107mm)



CEZANNE (34) (H67mm x L137mm)



CHAGALL (51) (H54mm x L116mm)



DIABLO (15) (H61mm x L125mm)



FLAIRE (F) (H58mm x L111mm)



GAUDI (20) (H61mm x L125mm)



LEONARDO (12) (H57mm x L118mm)



MONET (50) (H60mm x L121mm)



NEPTUNE (N) (H61mm x L127mm)



RENOIR (52) (H54mm x L116mm)



RIBERA (53) (H63mm x L120mm)



RUBENS (56) (H68mm x L137mm)



SALVADOR (27) (H58mm x L117mm)



VITTORE (30) (H69mm x L123mm)

Compatible locks	Lever finishes	Warranty	Order code summary
- IR Legge Pacific 60mm Latchbolt (Code 3722) - IR Legge Pacific 990MF Mortice - IR Legge Pacific 990MFE Mortice Electric Lock	ABZ, CP, PB, SCP	10 Years	1. Series 2. Lever (Handing) 3. Function 4. Finish (Combination Code) 5. Backset eg: L6000/54/03



ALESSANDRO (55) 
(H66mm x L117mm)



BERGEN (B) (D56mm x L124mm)
(ROSE Ø63mm Depth 11mm)



TECHNICAL SPECIFICATIONS

Backset: Various (sold as furniture only)

Door thickness: 32-50mm

FIXING

67 = Latch (face fix)

L67 = Lock/Latch (concealed exterior)

ACCESSORIES

22/26 = Cylinder Escutcheon

23/27 = Turn Escutcheon

24/28 = Emergency Escutcheon



ALPHA (29)
(H52mm x L120mm)



ANGELO (57)
(H49mm x L125mm)



ARCADIA (58)
(H62mm x L122mm)



CEZANNE (34) 
(H67mm x L137mm)



CHAGALL (51) 
(H58mm x L116mm)



DIABLO (15)
(H60mm x L125mm)



DONATELLO (54)
(H56mm x L124mm)



FLAIRE (F)
(H57mm x L111mm)



GAUDI (20) 
(H60mm x L125mm)



LEONARDO (12)
(H57mm x L118mm)



MONET (50)
(H60mm x L121mm)



NEPTUNE (N)
(H61mm x L127mm)



OMEGA (0)
(H71mm x ø50mm)



RENOIR (52)
(H53mm x L116mm)



RIBERA (53)
(H63mm x L120mm)



RUBENS (56)
(H68mm x L137mm)



SALVADOR (27)
(H58mm x L117mm)



VITTORE (30) 
(H68mm x L123mm)

Compatible locks / latches	Lever/Knob finishes	Warranty	Order code summary
- IR Legge Pacific 60mm Latchbolt (Code 3722) - IR Legge Pacific 990MF Mortice - IR Legge Pacific 990MFE Electric Mortice Lock	ABZ, CP, PB, SCP	10 Years	1. Series 2. Lever/Knob 3. Fixing (67LR or 67) 4. Finish eg: LF67LS



500 and 700 Series Commercial



500 ALESSANDRO (55) (H65mm x L117mm)
(PLATE 168mm Length x 48mm Width x 11mm Depth)



700 RUBENS (56) (H66mm x L137mm)
(PLATE 170mm Length x 46mm Width x 11mm Depth)



TECHNICAL SPECIFICATIONS

Backset: Various
Door thickness: 32-50mm
Plate Options: External Plates, Internal Plates,
Large Turn Series

PLATE FUNCTIONS

Cylinder Hole, Turn Snib, Emergency Button,
Large Turn, LED

*For functions please refer to product sheet in catalogue.



ALPHA (29)
(H52mm x L120mm)



ANGELO (29)
(H49mm x L125mm)



ARCADIA (29)
(H61mm x L122mm)



BERGEN (B)
(H49mm x L107mm)



CEZANNE (34)
(H65mm x L137mm)



CHAGALL (51)
(H53mm x L111mm)



DIABLO (15)
(H60mm x L125mm)



DONATELLO (54)
(H55mm x L124mm)



FLAIRE (F)
(H60mm x L110mm)



GAUDI (20)
(H59mm x L125mm)



LEONARDO (12)
(H56mm x L118mm)



MONET (50)
(H59mm x L121mm)



NEPTUNE (N)
(H61mm x L127mm)



OMEGA (O)
(H71mm x Ø55mm)



RENOIR (52)
(H53mm x L116mm)



RIBERA (53)
(H61mm x L120mm)



SALVADOR (27)
(H57mm x L117mm)



VITTORE (30)
(H68mm x L123mm)

Compatible locks / latches	Lever/Knob Finishes	Warranty	Order code summary
- IR Legge Pacific 990MF Mortice Lock (L3722) - IR Legge Pacific 990MFE Electric Mortice Lock	ABZ, CP, PB, SCP	10 Years	1. Series 2. Plate Option (External, Internal or Large Turn) 3. Lever/Knob 4. Finish eg: L502/29S

*Large Turn is only available with the Alpha lever.



G2 Series Cylindrical Lockset Keyed/Non keyed Commercial



NEPTUNE (H63mm x L127mm)
(ROSE Ø75mm Depth 16mm)

TECHNICAL SPECIFICATIONS

ANSI Grade 2 Certified
Backset: 60mm, 70mm
and 127mm available
Door thickness: 32-50mm
Door type: Wood and Metal

FUNCTIONS

G10S = Passage Latch
G30D = Patio Lock
G40S = Privacy Lock
G50PD = Entrance Lock
G50VPO = Vanguard
Entrance Lock
G66PD = Double Cyl

Entrance Lock
G70PD = Classroom Lock
G70VPD = Vanguard
Classroom Lock
G80PD = Store Room Lock
G170 = Dummy Trim (SG)
127 = Deadlatch Bolt

Lever design	Lever finish	Warranty	Order code summary
Lever - Neptune	SCP	7 Years	1. Series 2. Lever 3. Function 4. Finish eg: G2NENTSS

*Supplied as standard D+T Strike (SSS), Spacer Rings and Schlage C6 Keys.



800 Series Heavy Commercial



ALPHA (29)
(H52mm x L120mm)

(PLATE 152mm Length x 152mm Width x 2mm Depth)



BERGEN (B)
(H44mm x L107mm)

TECHNICAL SPECIFICATIONS

Door thickness: 32-50mm

PLATE OPTIONS

External/Internal Plates

External/Internal Pulls

Internal Large Turn

PLATE FUNCTIONS

Cylinder Hole, Turn Snib, Emergency

Button, Large Turn, LED,

FIXING

Back to back

External Plates concealed fixing



Compatible locks	Lever finishes	Warranty	Order code summary
- IR Legge Pacific 990MF Mortice Lock - IR Legge Pacific 990MFE Electric Mortice Lock	CP, SCP	10 Years	1. Series 2. Plate or Pull (External or Internal, Right or Left) 3. Lever 4. Finish eg: LB802LS



Escutcheons 6000 Series Commercial



CYLINDER (6008)




EMERGENCY RELEASE /
INDICATING EMERGENCY
RELEASE (6009 & 6014)



EURO PROFILE
CYLINDER (6012)



LARGE TURN / 
INDICATING LARGE
TURN (6010 & 6015)



TURN /
INDICATING TURN
(6007 & 6013)



Compatible with	Finishes	Warranty	Order code summary
- IR Legge Pacific 990MF Mortice Lock	CP, PB, SCP	10 Years	1. Series 2. Escutcheon type 3. Finish eg: L6012S

*Combination finishes refer IR Dalco 6000 Series Door.



Escutcheons 67 Series Commercial



CYLINDER (22/26)



EMERGENCY (24/28)



TURN (23/27)



Compatible with	Finishes	Warranty	Order code summary
- IR Legge Pacific 990MF Mortice Lock	ABZ, CP, PB, SCP	10 Years	1. Series 2. Escutcheon Type 3. Finish eg: L28A



Entrance Handles Residential



JUNO
Length: 450mm



SOLANO
Length: 450mm and 600mm

TECHNICAL SPECIFICATIONS

Door thickness: 35-50mm
Supplied for back to back
Supplied in pairs

DOOR TYPE/FIXING

Wood, Glass, or Metal

MATERIALS

Solid Brass

Finishes	Warranty	Order code summary
SCP	7 Years	1. Series 2. Entrance Handle 3. Length 4. Finish (When ordering please check fixing to wood, glass or metal doors) eg: DA1393JSC450

*Entrance Sets that includes Roller/Deadlock Latch, Mortice Lock, Face Plate and Cylinder (Dbl Cyl & Sgl Cyl) are available.



1100 & 1200 Series Commercial



1192
Finishes: PB, SSS
LH/RH Sizes:
Length Min - 450mm€
Length Max - 600mm€
Width Min - 25mmØ
Width Max - 32mmØ



1195
Finishes: PB, SSS
Sizes:
Length Min - 300mm
Length Max - 2000mm
Width Min - 32mmØ
Width Max - 50mmØ



1222
Finishes: PB, SSS
Sizes:
Length Min - 200mm€
Length Max - 2000mm€
Width Min - 25mmØ
Width Max - 50mmØ



1231
Finishes: PB, SSS
Sizes:
Length Min - 200mm€
Length Max - 1200mm€
Width Min - 25mmØ
Width Max - 32mmØ



1244
Finishes: PB, SSS
Sizes:
Length Min - 300mm€
Length Max - 600mm€
Width - 25mm
*1213 Option straight 32mm



1246
Finishes: PB, SSS
Sizes:
Length Min - 300mm€
Length Max - 600mm€
Width - 50mm

TECHNICAL SPECIFICATIONS

Supplied for back to back
Some designs LH or RH

DOOR/TYPE FIXING:

Wood, Glass, or Metal

*Refer to the IR Dalco Entrance Handle Brochure. Other designs are available. Dimensions are different for each entrance handle design.

Recommend checking Centre Line/Fixing and Diameter before ordering.

Compatible lock	Finishes	Warranty	Order code summary
- IR Legge Pacific 990MF Mortice Lock - IR Cisa 7000 Series (Roller Deadlock)	ABZ, CP, PB, SCP	5 Years	1. Handle Design 2. Dimension 3. Fixing (When ordering please check fixing to wood, glass or metal doors) 4. Finish

Locks & Latches



Keeping your home safe and secure is an important responsibility.

When you arrive home from a busy day can you image yourself relaxing in the lounge, do you see your family and friends gathered around the dining room table, or getting a good nights sleep in the master bedroom. Our homes are important havens – a place to enjoy, feel comfortable and secure.

Burglars select homes where it is easy to force a door or jimmy a lock. It is the home owners responsibility to deter the burglar and there are many things you can do to keep your house or apartment safe and secure. Do your homework and ensure that you select the best lock for the door type. Whether you are selecting a tubular latch or euro profile mortice lock you will need to determine the level of security required. Make sure that any lock fitted to your home meets Australia and New Zealand Standards. Taking a positive approach to home security means ensuring that the best level of security and life safety is selected for your property, family and friends.



Cisa 7000 Series Euro Mortice Lock Residential



TECHNICAL SPECIFICATIONS

Backset: 30, 35, 45 & 60mm
 Follower to turn centre - 85mm
 Door thickness:
 5 PIN -Max. 40mm
 6 PIN - Max. 48mm
 Door type: Wood & Aluminium
CYLINDERS (Order separately)
 IRME C4 Euro 5 or 6 PIN
 IR Schlage Euro 'C' or 'E'
 5 or 6 PIN

FUNCTIONS

Cylinder & Turn
 Double Cylinder
 Half Turn
 Half Cylinder

ACCESSORIES

Escutcheons
 Rod Kit 2 Pt & 3 Pt
 Extension Joiner & Rod
 IRME Rebate Kit (MERK)
 IRME Rebate Kit Dust Box (MERKDX)

Compatible furniture	Forend finishes	Warranty	Order code summary
- Backset & function specific: -IR Dalco Entrance Handlesets - IR Legge Pacific Medio 1000 Series - IR Schlage Milan and Como	SB, SCP, SSS	7 Years Mechanical	1. Series 2. Backset (Wood or Aluminium) 3. Model/Function 4. Finish eg: CS70011



Regent Deadlock Residential



REGENT

TECHNICAL SPECIFICATIONS

ANSI Grade 2 Performance
 Heavy duty residential range
 High security solid construction
 Easy Installation
 Backset: 60-70mm adjustable

Deadbolt: 25mm
 Door thickness: 35mm to 50mm
 Door Type: Wood & Metal

FUNCTIONS

Single Cylinder & Turn Deadbolt
 Double Cylinder Deadbolt

Compatible furniture	Warranty	Order code summary
- IR Legge Pacific Regent Lever, Knob, Entrance Handlesets	7 Years Finish 25 Years Mechanical	1. Series 2. Function 3. Finish eg: RDBOLTSC

* Available as a Combination Set – Entrance Set with Double Cylinder Deadbolt – Keyed Alike



Euro Profile Cylinders Residential



DOUBLE CYLINDER
5 PIN 'C'4 - SCP
6 PIN 'C'4 - SCP



CYLINDER & TURN
5 PIN 'C'4 - SCP
6 PIN 'C'4 - SCP

TECHNICAL SPECIFICATIONS

KA: Keyed alike
KD: Keyed to differ

Compatible locks	Warranty	Order code summary
- IR Cisa - IRME Euro - IR J Legge Profile Mortice Locks - IR Briton 5400	7 Years	1. Series 2. Function (5 or 6 PIN) 3. Finish 4. Keying eg: MESSCS



IRME Euro Mortice Lock Residential



ME60
ENTRANCE
(EN)

FUNCTIONS



ME30
ENTRANCE
(EN)



ME30
PASSAGE
(PS)



ME40
ENTRANCE
(EN)



ME44
ENTRANCE
(EN)



ME58
ENTRANCE
(EN)



ME60 ANTI
LOCKOUT
(AL)



ME60
CLASSROOM
(CL)



ME60
DEADLOCK
(DB)



ME60
PASSAGE
(PS)



ME60
PRIVACY
(PR)



ME60 ROLLER
DEADLOCK
(RL)

TECHNICAL SPECIFICATIONS

Backset: 30, 40, 44, 58, & 60mm
Follower to turn centre 30, 40, 60mm = 85mm
44 & 58mm = 47.5mm
Door thickness: 5 PIN - Max. 42mm 6 PIN - Max. 52mm
Door type: Wood- except ME30 is compatible with Metal / Aluminium

CYLINDERS (Order separately)

IRME C4 Euro
IR Schlage keyway 'C' 5 or 6 PIN Euro Profile Cylinders

ACCESSORIES

IRME Rebate Kit (MERK)
J Legge 42 Rebate Kit (JS42)

Compatible furniture	Forend finishes	Warranty	Order code summary
- Backset & function specific: - IR Dalco 6000 Series - IR Legge Pacific Medio Collection & 1000 Series - IR Legge Pacific 67 Series - IR Schlage Milan and Como	PB, SS	7 Years Mechanical	1. Series 2. Backset (wood or metal) 3. Trade or Vispak 4. Function 5. Finish eg: ME60T6CTDBS



B300 Series Deadlock Residential



B300 CYLINDER & TURN

TECHNICAL SPECIFICATIONS

ANSI Grade 2 Certified
Backset: 60/70mm adjustable latchbolt
Door thickness: 35mm to 44mm standard
Door Type: Wood & Metal

KA: Keyed alike in groups of four

FUNCTIONS

B360 - Single Cylinder Deadbolt
B362 - Double Cylinder Deadbolt

ACCESSORIES

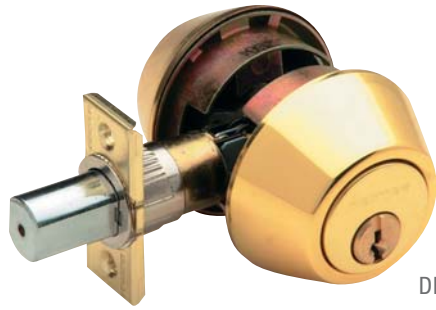
Deadbolts
Strikes
Adaptor Rings
Rebate Kit
Wood Frame Reinforcer

Compatible furniture	Forend finishes	Warranty	Order code summary
-IR Schlage F Series Levers, Knobs & Entrance Handlesets	AB, CP, SCP, SNP	Lifetime Mechanical. Lifetime Finish CP, SNP, UPB. 10 Year Finish AB, SCP.	1. Series 2. Function 3. Backset 4. Forend Finish eg: SRL13420 5. Pack

*For Commercial durability refer to IR Schlage BC100 Deadbolts and B250 Deadlatches Series. *Avaliable in Display or Standard Pack.



Dexter Deadlock Residential



DEXTER DOUBLE CYLINDER

TECHNICAL SPECIFICATIONS

ANSI Grade 2 Certified
Backset:
Door thickness: 60 -70mm
Door Type: Wood & Metal

FUNCTIONS

Single Cylinder & Turn
Double Cylinder

Compatible furniture	Forend finishes	Warranty	Order code summary
- IR Schlage Dexter Lever & Knob	CP, PB, SSS	7 Years finish, 25 Years Mechanical	1. Series 2. Function. 3. Finish



Euro Profile Cylinders Residential



DOUBLE CYLINDER

5 PIN 'C' - CP, PB, SCP
6 PIN 'C' - SCP, SC
6 PIN 'E' - CP



CYLINDER & TURN

5 PIN 'C' - CP, PB, SCP
6 PIN 'C' - SCP
6 PIN 'E' - CP

TECHNICAL SPECIFICATIONS

Universal applications
KA: Keyed alike
KD: Keyed to differ
RCK: SCP only

ALSO AVAILABLE

Half Cylinder (5 & 6 PIN 'C')
Security screen options

Compatible locks	Warranty	Order code summary
- IR Cisa 7000 Series - IRME Euro - IR J Legge Profile Mortice Locks - Briton 5400	7 Years	1. Series 2. Function (5 or 6 PIN) 3. Finish 4. Keying

*Removable PIN stops for Residential Construction Keying (SCP Range) supplied with Schlage C5 & C6 (C4 Available).



5400 Series Euro Contract Lock Commercial



5440 LATCH



5410 DEAD LOCK



5420 CYLINDER SASH LOCK



5430 BATHROOM

TECHNICAL SPECIFICATIONS

Backset: 60mm
Follower to turn centres:
72mm & 78mm (Privacy)
Door thickness: 60mm

FUNCTIONS

Deadlock
Latch
Privacy
Sashlock

CYLINDERS (Order separately)

IR Schlage 'C' Euro profile
IRME Series 6 PIN 'C4'
Euro

ACCESSORIES

Escutcheons
Privacy Indicator and Turn
Rebate Kit
Striker Box and Plate
Cylinder
Extended Square Strike
Plate

Compatible furniture	Forend finish	Warranty	Order code summary
- Backset & function specific: - IR Dalco 6000 Series - IR Legge Pacific Medio Collection & 1000 Series - IR Schlage Milan and Como	S	5 Years	1. Series 2. Function 3. Forend Finish



990MF and 990MFE Mortice Locks Commercial

FUNCTIONS



COMBO / DUAL / VESTIBULE



DEADLOCK



NIGHTLATCH



SLIDING DOOR



**990MFE
ELECTRIC LOCK**
*refer to catalogue for
more information

TECHNICAL SPECIFICATIONS

Backset: 60mm Std, 70, 89, 127mm available
Electric Backset: 60mm Std 89mm & 127mm available
Door thickness: 32-50mm Up to 76mm available
Door type: Wood/Metal

FUNCTIONS

C = Combination
D = Deadlocking
CD = Dual Deadlocking
N = Nightlatch
S = Sliding doors
V = Vestibule

ELECTRIC

MULTI-FUNCTION LOCK
Fail Secure / Fail Safe
Monitored & Non Monitored
Field Handing

CYLINDERS

Oval Cylinder

ACCESSORIES

Rebate Kit (R13)
Long Lipped Strike



Compatible furniture	Forend finishes	Warranty	Order code summary
- IR Dalco 5300M/5400M/6000 Series - IR Legge Pacific 67/500/700/800 Series	CP, PB, SCP	990MF 10 Years Mechanical 990MFE 10 Years Mechanical 5 Years Electrical	1. Series 2. Function 3. Finish 4. Backset eg: L9D7C

*For more information on Functions refer to the Price Book or Wall Chart.



995MF Narrow Style Mortice Lock Commercial



COMBINATION / VESTIBULE

TECHNICAL SPECIFICATIONS

Backset: 23, 30 & 38mm
Door thickness:
32-48mm Std
49-76mm available
Door type: Wood & Metal

CYLINDERS

Oval Cylinder

COMPATIBLE FURNITURE

IR Dalco 5300/5400 Series

ACCESSORIES

Rebate Kit

Compatible furniture	Forend finishes	Warranty	Order code summary
- IR Dalco 5300/5400 Series	CP, PB, SCP	10 Years	1. Series 2. Function (Refer Price Wall Chart) 3. Finish 4. Backset eg: L95C57S38

*For more information on Functions refer to the Price Book or Wall Chart.

Door Controls



No more slamming doors, door closers bring peace and quiet to your home or building.

Today there are many innovative door closers on offer for a wide range of applications in homes, apartments and commercial settings. A door closer can be used on interior and exterior doors, on fire doors or standard doors, high security doors or used by people with special needs.

IR Architectural Hardware believe that home owners should feel free to enjoy their apartment or house with the piece of mind of knowing that property, friends and family are secure with no doors left open.



200 Series Door Closer Residential



Tested to 200,000 operating cycles

TECHNICAL SPECIFICATIONS

Universal application fits standard, top jamb and parallel arm installations
European style trim cover
Independent, adjustable latching, closing speed with backcheck
Non Handed

Hold Open option available (Trade Pack only)
Door type: Interior and exterior, wood or metal

CLOSER STRENGTH
3

FINISH
SE = Sprayed Silver

CLOSER SELECTION

Parallel arm, std
Regular arm
Top jamb

**For more door specification information please refer to product sheet in catalogue.*

Warranty	Order code summary
3 Years	1. Series 2. Backcheck or Hold Open 3. Finish 4. Packaging eg: BNT72003HO

*Available in Trade Pack and Vispak



220 Series Door Closer Commercial



Tested to 500,000 operating cycles



TECHNICAL SPECIFICATIONS

Universal application fits standard, top jamb and parallel arm installations
Independent, adjustable latching, closing speed with backcheck
Hold Open option
Non-Handed

Door type: Interior and Exterior, Wood or Metal.
Supplied with Trim Plate or SSS Case Cover

CLOSER STRENGTH
2-4 Adjustable

FINISH
SE = Sprayed Silver

ACCESSORIES

Hold Open Arm (HO)
Track Arm (T)
Parallel Arm Bracket (PA)
Drop Plate (DP)
Parallel Arm Drop (DPPA)
Full Cover (SSS)

**For more door specification information please refer to product sheet in catalogue.*

Warranty	Order code summary
3 Years	1. Series 2. Backcheck or Hold Open 3. Finish eg: BNT7220BC



222 Series Door Closer Commercial



222BC
Tested to 500,000 operating cycles



TECHNICAL SPECIFICATIONS

Universal application fits standard, top jamb and parallel arm installations Independent, adjustable latching, closing speed with backcheck.

FUNCTIONS

Delayed Action 22DA
Hold Open (HO)
Regular (REG)

Door type: Interior and Exterior, Wood or Metal. Supplied with Trim plate or SSS Case Cover Non-Handed

FINISH

SE = Sprayed Silver

CLOSER STRENGTH

2-5 Adjustable
Delayed action 1-4

ACCESSORIES

Hold Open Arm (HO)
Track Arm (T)
Parallel Arm Bracket (PA)
Drop Plate (DP)
Parallel Arm Drop (DPPA)
Full Cover (SSS)

**For more door specification information please refer to product sheet in catalogue.*

Warranty	Order code summary
5 Years	1. Series 2. Backcheck or Hold Open 3. Finish eg: BN7222BCREGSE



524 Series Door Closer Commercial



Tested to exceed 500,000 operating cycles



TECHNICAL SPECIFICATIONS

Universal, fully reversible, non handed door Independent adjustable valves of Backcheck, Closing and Latching speeds

Tested in accordance with AS/NZS 1905 Part 1-1997

Door type: Interior or Exterior, Wood or Metal, Swinging Doors

CLOSER STRENGTH

2-4 Adjustable

FUNCTIONS

Hold Open (HO)
Regular (REG)

FINISH

ALUM = Aluminium
Other options available

ACCESSORIES*

Optional Metal Cover
Adaptor Plate
Drop Plate

**For more door specification information please refer to product sheet in catalogue.*

Warranty	Order code summary
10 Years	1. Series 2. Regular or Hold Open 3. Finish 4. Accessories eg: LCC25068

**523T Series - non handed track arm. Surface mounted closer for interior doors on narrow head frames or top rails is available.*



1460T/1461T Series Door Closer Commercial



1461T Curve Cover
Interior slim line track option



1461T Square Cover
Interior slim line track option



TECHNICAL SPECIFICATIONS

Universal, fully reversible, non handed door Independent adjustable valves of Backcheck, Closing and Latching speeds

Tested in accordance with AS/NZS 1905 Part 1-1997

Door type: Interior or Exterior, Aluminium Hollow

Metal, Wood and Swinging doors.

CLOSER STRENGTH

1460T 2-4 Adjustable
1461T 1-3 Adjustable

FUNCTIONS

Hold Open (HO)
Regular (REG)

FINISH

ALUM = Aluminium

ACCESSORIES*

Optional Metal Cover
Adaptor Plate
Drop Plate
Square/Curve cover option

**For more door specification information please refer to product sheet in catalogue.*

Warranty	Order code summary
10 Years	1. Series 2. Regular or Hold Open 3. Finish 4. Accessories eg: LCP30001

**1461 Series - non handed surface mounted closer.*

Exit Devices

Need solutions for managing building access and foot traffic.

With increased awareness and regulations regarding the building codes and compliance Exit Devices have an important role to play in a buildings access management, security and life safety. The key determinants for selecting an Exit Device are the amount of foot traffic that would need to be evacuated in time of an emergency, the type of door for the installation and the design the best suit the buildings décor. IR Architectural Hardware can offer a range of Exit Devices and other supporting door hardware.



376E Series Push Bar Commercial

VERTICAL PANIC BOLT



376E
Tested to 600,000 operating cycles

TECHNICAL SPECIFICATIONS

Single and double door applications
Door type: Aluminium, Hollow Metal or Wood
Swinging Doors
Door size: 665-1300mm w and 2500mm h
Stile width: min 78mm

FUNCTIONS

Vertical rod exit (376E)
*Double rebated set (377M)
FINISH
SE = Sprayed Silver
ACCESSORIES**
Knob (1413EK)
Lever (1413FC/L)
Add alarm (539 LH/RH)

Warranty	Order code <i>**Please see product sheet in catalogue for Accessory order codes</i>
5 Years	1. Model 2. Finish

REVERSIBLE RIM PANIC LATCH



378E
Tested to 600,000 operating cycles

TECHNICAL SPECIFICATIONS

All types of single doors*
Reversible
Door type: Aluminium, Hollow Metal or Wood
Swinging Doors

Door size: 665-1300w and 2500h
Stile width: Min 78mm
FINISH
SE = Sprayed Silver

ACCESSORIES**

Knob (1413EK)
Lever (1413FC/L)
Add alarm (539 LH/RH)

Warranty	Order code <i>**Please see product sheet in catalogue for Accessory order codes</i>
5 Years	1. Model 2. Finish

MORTICE PANIC LATCH OPERATOR



379E
Tested to 600,000 operating cycles

TECHNICAL SPECIFICATIONS

All types of single doors
Reversible
Door type: Aluminium, Hollow Metal or Wood
Swinging Doors

Door size: 665-1300mm w and 2500mm h
Stile width: Min 100mm
FINISH
SE = Sprayed Silver

ACCESSORIES**

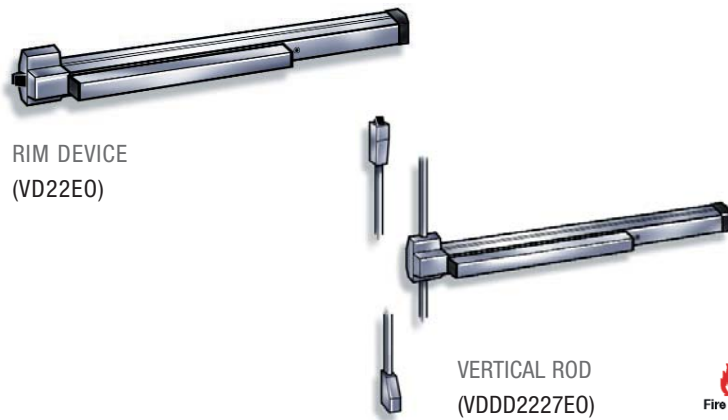
Knob (1413EK)
Lever (1413FC/L)
Add alarm (539 LH/RH)

Warranty	Order code <i>**Please see product sheet in catalogue for Accessory order codes</i>
5 Years	1. Model 2. Finish

*Designed to be used in conjunction with IR Legge Pacific 990MF & 990MFE Electric Mortice Locks.



22 Series Pad Exit Device **Commercial**



RIM DEVICE
(VD22E0)

VERTICAL ROD
(VDDD227E0)



TECHNICAL SPECIFICATIONS

Single and Double door applications
 Door Type: Aluminium, Metal or Timber Doors
 Reversible Handing
 Door thickness: 44-57mm
 Door size: 762-914mm or 940-1220mm
 Min Stile 22 = 97mm
 2227 = 92mm

DEVICE LENGTH

914mm or 1220mm

MODELS

Rim device
 Vertical rod device

MOUNTING

Surface

ACCESSORIES*

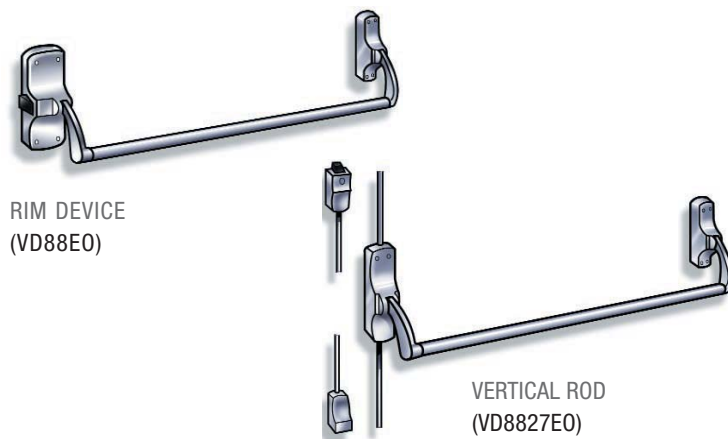
Alarm kit
 Knob trim
 Lever trim
 Nightlatch trim
 Thumbpiece trim

**Please see product sheets in catalogue for accessory codes and cylinder information.*

Finish	Warranty	Order code summary
ALUM	5 Years	1. Series 2. Model and Door Type 3. Function 4. Length eg: VD2227E0



88 Series Push Bar Exit Device **Commercial**



RIM DEVICE
(VD88E0)

VERTICAL ROD
(VD8827E0)

TECHNICAL SPECIFICATIONS

Single and Double door applications
 Door Type: Aluminium, hollow metal or wood swinging doors
 Reversible Handing
 Door thickness: 40-57mm
 Door size: 600mm to 1220mm
 Min Stile 111mm

DEVICE LENGTH

1220mm

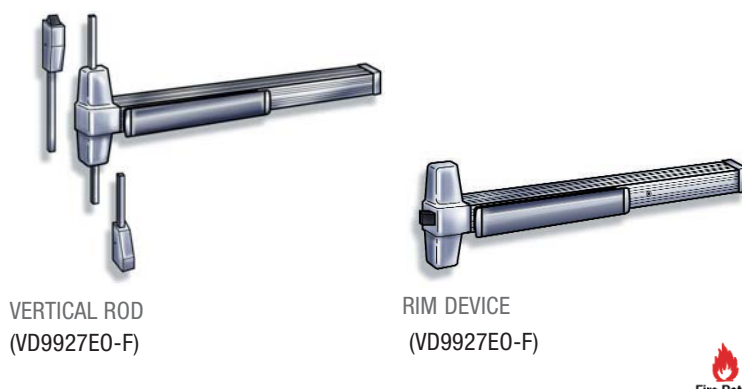
MOUNTING

Surface

Finish	Warranty	Order code summary
SCP	5 Years	1. Series 2. Model and Door Type eg: VD88E0



99 Series Push Pad Exit Device **Heavy Commercial**



VERTICAL ROD
(VD9927E0-F)

RIM DEVICE
(VD9927E0-F)



TECHNICAL SPECIFICATIONS

Single and Double door applications
 Door Type: Aluminium, hollow metal or wood swinging doors
 Reversible Handing
 Door thickness: 40-57mm
 Door size: 600mm to 1220mm
 Min Stile 111mm

DEVICE LENGTH

914mm

MOUNTING

Surface

ACCESSORIES*

Alarm kit
 Breakaway Lever
 Nightlatch with Pull

**Please see product sheets in catalogue for accessory codes and cylinder information.*

Finish	Warranty	Order code summary
SCP	5 Years	1. Series 2. Model and Door Type eg: VD9927E0

*33A Series Narrow Style Exit Device available.

SECTION 5

General Hardware

The finishing touches often make the difference to everyday life and interior décor.

IR Architectural Hardware have a vast range of general hardware products designed to fully compliment other hardware products offered. Auxiliary product ranges include door and cabinet hardware, pull and push plates, door viewer, galvanised hardware, and hinges.



Door Stops Residential



FLOOR MOUNTED
Finish: ALUM, PB
Code: DA12801 CA



FLOOR MOUNTED
Finishes: SCP
Code: DA12821 CA



FLOOR MOUNTED
Finishes: CP, PB, SCP
Code DA12901



WALL MOUNTED
Finish: SCP
Code DA12861 PB / SCP



HAT & COAT HOOK
Finishes: CP
Code DA12841



Door And Cabinet Residential



ROLLER CATCH
Finishes: PB, SCP
*Includes strike plate



DOOR STOP
Finishes: PB, SCP, SNP
Code: 434V & 434



PASSAGE SLIDING DOOR
Finishes: CP, PB, SCP
Code: 46-100V & 46-100



PRIVACY SLIDING DOOR
Finishes: CP, PB, SCP
Code 46-101V & 46-101

*Available in Vispak or Trade Pack. Refer to the Price Book for pack quantity.



Door Viewer Residential



DOOR VIEWER
Finishes: CP, SCP, UPB

TECHNICAL SPECIFICATIONS

Door Type: Timber and Metal



Hinges Residential



EXTRUDED BRASS
Finishes: SCB
Code: 238 (various sizes)

FLUSH FIXED PIN
Finish: SA
Size: 100 x 50mm
Code: 416



FLUSH HINGE
Finish: FB
Size: 89mm
Code: 415

FLUSH OVERLAY
Finish: FB
Code: 409



STEEL BUTTERFLY
Finishes: FB
Code: 603

SELF CLOSING CABINET
Finishes: AB, BBRZ, BB
Code: 229



*Supplied in pack quantity. Refer to the Price Book.



Architectural Pulls And Plates Commercial



PULL HANDLE
Visible Fixing
Finish: SSS
Code: DA401V-15
(Size 150mmx12mm)
Code: DA401V-16
(Size 200mmx16mm)



PUSH PLATE
Finish: SSS
(Size: 300mm x 100mm)
Code: DA606V
(Available with concealed fixing to suit DA401V.)



PULL PLATE - INCLUDES ROSE
Finish: SSS
Code: 1351-04
(Size 150mm x 12mm)
Code: 1351-06
(Size 200mm x 16mm)



PULL PLATE - OFFSET ROSE
Finish: SSS
Code: 1353
(Size: 200mm x 16mm & 300mm x 16mm)



Architectural Hinges Commercial



DOUBLE ACTING SPRING
Finishes: CP, FB, GD
Code: 401
Size 100mm, 150mm - CP, FB
Code: 402
Size 76mm, 102mm - GD



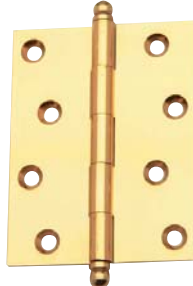
BALL BEARING BUTTON TIP
Finish: SSS
Size: 100mm x 75mm & 100mm x 100mm
Code: 417FD-02, 417FD-04



STAINLESS STEEL "FAST FIX"
Finishes: PSS, SSS
Size: 100mm x 68mm
Code: 13225



FALLING BUTT (LH/RH)
Finish: SSS
Size: 102mm x 76mm
Code: 412



LOOSE PIN BALL TIP
Finish: PB
Size: 102 x 76mm
Code: 4451



LOOSE PIN BUTT
Finish: SSS on steel
Size: 100mm x 75mm & 100 x 100mm
Code: 413LP, 413FP



RISING BUTT (LH/RH)
Finish: SSS
Size: 102 x 76mm
Code: 411

Architectural Recommendations

When selecting a finish, it is important to consider climatic conditions and usage. This is especially true in areas subject to strong corrosive vapours, humid climate, sea air or high use, all of which may have damaging effects on metal finishes. The longevity and preservation of the finish is determined by the base metal and finishing processes. We highly recommend products with our Satin Stainless Steel (SSS) finishes for applications subject to challenging conditions such as salt air, humid climate or strong corrosive vapours. For high-wear environments, use the Stainless Steel (SSS) finishes, the Bright Chromium (CP) or Satin Chromium (SCP) finishes.

Care

Various types of hardware finishes require different methods of cleaning and care. The type of base metal and finishing processes must be considered when applying a cleaning method. Stainless Steel and Chromium Plated finishes may be cleaned with mild soap on a damp soft cloth. Soft finishes should NOT be cleaned with soaps or solvents. Instead, a clean, dry soft cloth should be used to wipe away dirt. Solvents should not be applied to any of our finishes.



AUSTRALIA

Customer Service Free Phone +1800 098 094
Customer Service Free Fax +1800 098 095
Email info@ingersoll.com.au

Adelaide

IR Architectural Hardware

PO Box 658, Glenside
65D Dulwich Avenue
Dulwich, Adelaide, SA 5065
Phone +61-8-8431 4760
Fax +61-8-8431 4759

Brisbane

IR Architectural Hardware

PO Box 2178, Logan City, QLD 4114
64 Parramatta Road
Underwood, Brisbane, QLD 4119
Phone +61-7-3208 8900
Fax +61-7-3208 9477

Melbourne

IR Architectural Hardware

PO Box 346
16-20 Third Avenue
Sunshine, Melbourne, VIC 3020
Phone +61-3-9312 2822
Fax +61-3-9312 5981

Perth

Design Hardware

PO Box 759, Doubleview, WA 6018
37 Glenelg Avenue
Wembley Downs, Perth, WA 6019
Phone +61-8-9244 8484
Fax +61-8-9244 8428

Sydney

IR Architectural Hardware

PO Box 404, North Ryde, NSW 1670
Unit 2, 47 Epping Road
North Ryde, Sydney, NSW 2113
Phone +61-2-8875 1500
Fax +61-2-9889 3288

NEW ZEALAND

Email info@ingersoll-rand.co.nz
www.irarchitecturalhardware.co.nz

Auckland

IR Architectural Hardware

PO Box 19-347, Auckland
437 Rosebank Road
Avondale, Auckland
Phone +64-9-829 0550
Fax +64-9-829 0552

Christchurch

IR Architectural Hardware

PO Box 10-027
9 Phillips Street,
Phillipstown, Christchurch
Phone +64-3-366 1877
Fax +64-3-366 3152

Wellington

IR Architectural Hardware

C/- Home Ideas Centre
The Esplanade, Petone
Lower Hutt, Wellington
Phone +64-4-566 3957
Fax +64-4-576 0198